

# Union Bonnet Valves



## Features

- Pressure rating up to 6000psi(410bar)
- Temperature rating from -54°C to 232°C(-65°F to 450°F) with PTFE packing, and up to 648°C(1200°F) with optional Grafoil packing
- Materials : Body is standard 316SS
- Size : 1/4" ~ 1/2"
- Wide choices of end connections : Uni-Lok Tube Fittings, Female NPT or PT(ISO 7/1) thread

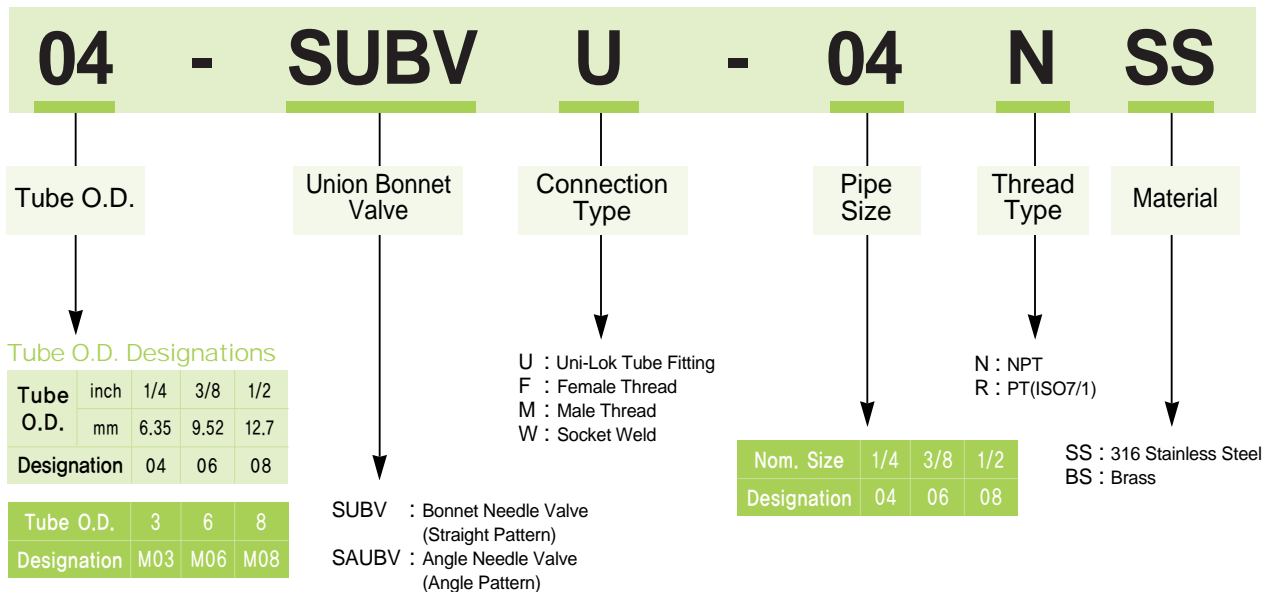
## Testing

- Every valve is 100% factory tested with air and nitrogen at 1000psi(69bar) for leakage at the seat. Each test is performed to a maximum allowable leak rate of 0.1 std cm<sup>3</sup>/min.

## Safe Valve Selection

- When selecting a valve, the total system design must be considered to ensure safe, trouble-free performance.
- Valve function, materials compatibility adequate ratings, proper installation, and maintenance are the responsibility of the designer or user.

## How to Order



## SUBVU Series(Uni-Lok TUBE Fitting)



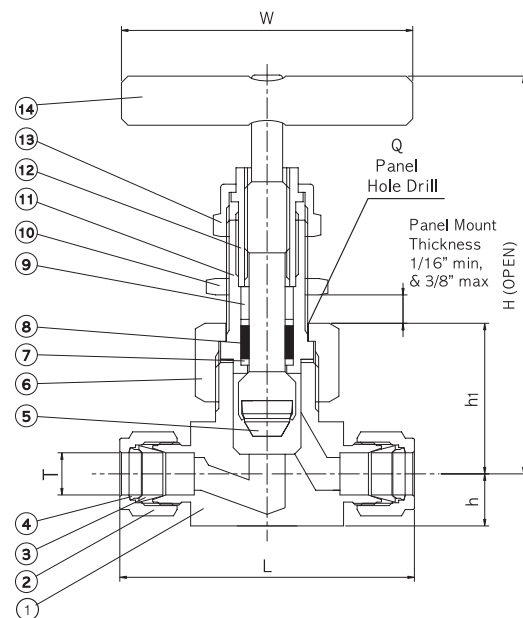
### Specification

End Connection : Uni-Lok TUBE Fitting

Valve Material	Temperature Rating	Pressure Rating @ -54°C ~ -38°C(-65°F~100°F)
316SS	-54°C to 232°C (-65°F to 450°F)	6000 psi (410bar)

### Materials of Construction

No.	Description	Material
1	Body	316 SS
2	Nut	316 SS
3	Front Ferrule	316 SS
4	Back Ferrule	316 SS
5	Stem	316 SS
6	Union nut	316 SS
7	Packing supports	Glass-filled PTFE
8	Packing	PTFE
9	Gland	316 SS
10	Panel nut	316 SS
11	Bonnet	316 SS
12	Packing bolt	316 SS
13	Lock nut	316 SS
14	Handle	304 SS



### Table of Dimension

Unit : mm

Part No.	Applicable Tube		Orifice	Cv	L	h	h1	H	W	Q
	Nom.Size	O.D.								
04-SUBVU	1/4	6.35	4.0	0.4	61.9	9.6	27.8	77.8	45.0	15.1
06-SUBVU	3/8	9.53	6.4	0.9	73.0	12.7	34.1	93.7	64.0	19.9
08-SUBVU	1/2	12.7	11.0	2.2	100.0	20.0	46.0	121.5	89.0	26.2
M06-SUBVU	6	6	4.0	0.4	61.9	9.6	27.8	77.8	45.0	15.1
M10-SUBVU	10	10	6.4	0.9	73.0	12.7	34.1	93.7	64.0	19.9
M12-SUBVU	12	12	11.0	2.2	100.0	20.0	46.0	121.5	89.0	26.2

Note : Dimensions are reference only, subject to change without prior notice.

## SUBVF Series(Femal Thread)



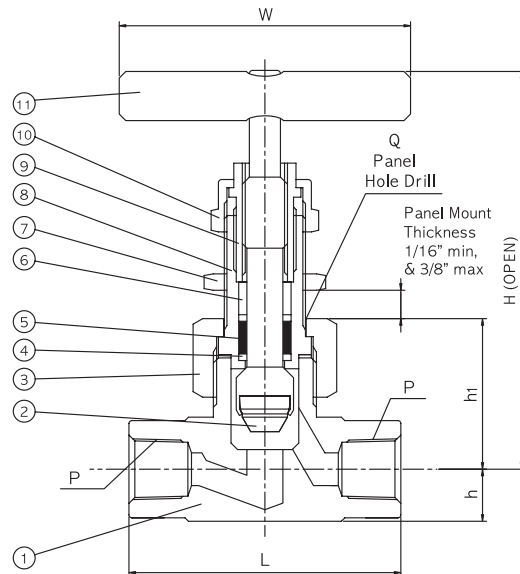
### Specification

End Connection : Femal NPT or PT(ISO 7/1) Thread

Valve Material	Temperature Rating	Pressure Rating @-54°C ~ -38°C(-65°F ~100°F)
316 SS	-54°C to 232°C (-65°F to 450°F)	6000 psi (410bar)

### Materials of Construction

No.	Description	Material
1	Body	316 SS
2	Stem	316 SS
3	Union nut	316 SS
4	Packing supports	Glass-filled PTFE
5	Packing	PTFE
6	Gland	316 SS
7	Panel nut	316 SS
8	Bonnet	316 SS
9	Packing bolt	316 SS
10	Lock nut	316 SS
11	Handle	304 SS



### Table of Dimension

Unit : mm

Part No.	P (NPT)	Orifice	Cv	L	h	h1	H	W	Q
SUBVF-04N	1/4	4.0	0.4	61.9	9.6	27.8	77.8	45.0	15.1
SUBVF-06N	3/8	6.4	0.9	73.0	12.7	34.1	93.7	64.0	19.9
SUBVF-08N	1/2	11.0	2.2	100.0	20.0	46.0	121.5	89.0	26.2

Note : Dimensions are reference only, subject to change without prior notice.