

Hex Ball Valves • SHBVU series



SHBVU Series (Uni-Lok Tube Fitting)

Specification

Max Operating Pressure : 316SS- 1000psi(69Bar)
 Connection : Uni-Lok Tube Fitting



Materials of Construction

| No. | Description | Materials |
|-----|---------------|-----------------|
| 1 | Body | 316SS |
| 2 | Connector | 316SS |
| 3 | Front Ferrule | 316SS |
| 4 | Back Ferrule | 316SS |
| 5 | Nut | 316SS |
| 6 | Ball Seat | PTFE(Glass 30%) |
| 7 | O-ring | Viton |
| 8 | Ball | 316SS |
| 9 | Inner Packing | TFE |
| 10 | Stem | 316SS |
| 11 | Outer Packing | TFE |
| 12 | Gland | 316SS |
| 13 | Washer | 316SS |
| 14 | Handle | AL304+PVC COT |

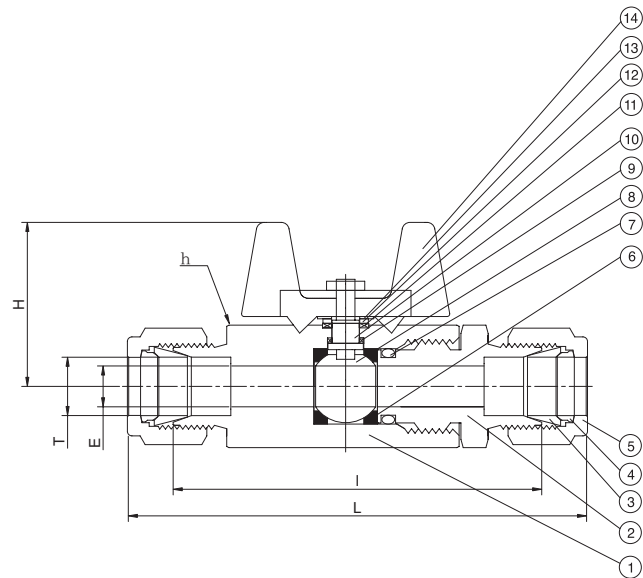


Table of Dimension

Unit : mm

| Part No. | Tube O.D. | Orifice | h(Hex) | L | H |
|-----------|-----------|---------|--------|-------|------|
| 04-SHBVU | 1/4" | 5.0 | 17.46 | 81.0 | 35.0 |
| 06-SHBVU | 3/8" | 7.5 | 22.22 | 90.0 | 42.0 |
| 08-SHBVU | 1/2" | 9.0 | 26.98 | 99.0 | 49.0 |
| 12-SHBVU | 3/4" | 12.5 | 31.75 | 110.0 | 54.0 |
| 16-SHBVU | 1" | 16.0 | 38.10 | 134.0 | 65.0 |
| M06-SHBVU | 6mm | 5.0 | 17.46 | 81.0 | 35.0 |
| M08-SHBVU | 8mm | 5.0 | 17.46 | 82.8 | 35.0 |
| M10-SHBVU | 10mm | 7.5 | 22.22 | 90.0 | 42.0 |
| M12-SHBVU | 12mm | 9.0 | 26.98 | 99.0 | 49.0 |
| M25-SHBVU | 25mm | 16.0 | 38.10 | 134.0 | 65.0 |

Note : Dimensions are reference only, subject to change without prior notice.