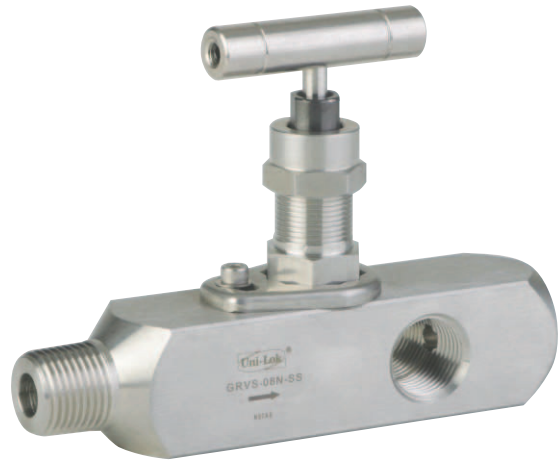


Gauge Root Valves • SRV/SRGV/SRGV2 Series

SRV, SRGV, SRGV2 Series

Uni-Lok Gauge Root Valves offer a safe and economical method of installing pressure switches, gauge and differential transmitters. By offering multiple outlets, these valves can accommodate a variety of gauge positions and handle operations. They are suitable for block and bleed where a purge valve, sampling line, or test pressure source is required.

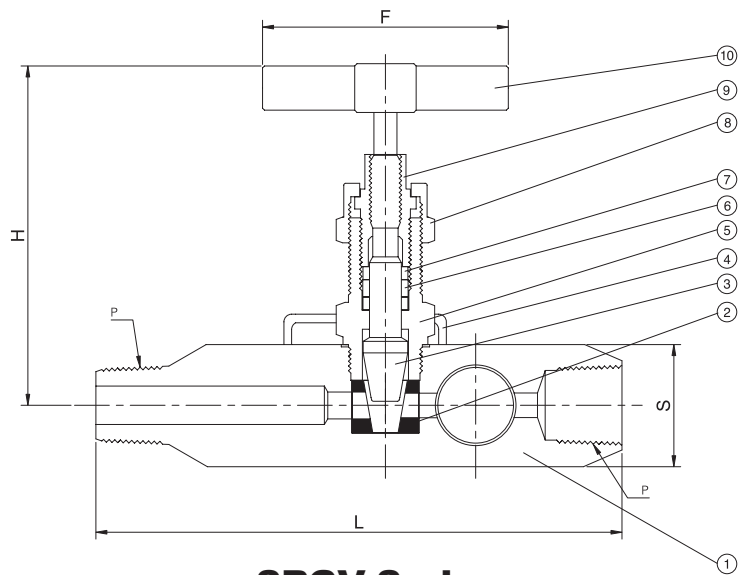


Features

Pressure rating up to 6000psi(413bar) at 38°C(100°F)
 Temperature rating from -53°C(-65°F) up to 523°C(973°F) with optional Grafoil packing.
 Usage at greater than 93°C(200°F) is not recommended

Materials of Construction

No.	Description	Materials
1	Body	316SS
2	Seat	PTFE
3	Stem	316SS
4	Hex Stopper	304SS
5	Bonnet	316SS
6	Packing	PTFE
7	Packing Ring	316SS
8	Packing Nut	316SS
9	Spindle Bushing	316SS
10	Handle	304SS



SRGV Series

Test

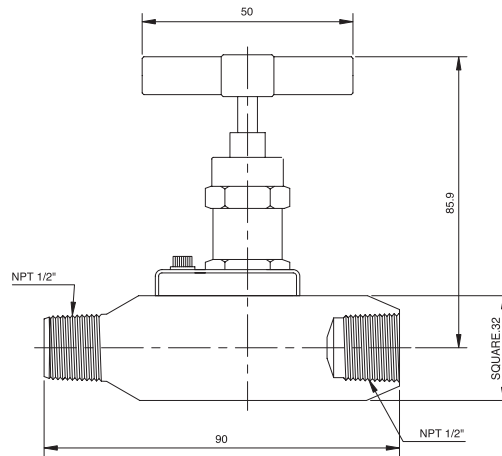
Every valve is 100% factory tested with air and nitrogen at 1000psi(69bar) for leakage at the seat. Each test is performed to a maximum allowable leak rate of 0.1scc/min.

Table of Dimension

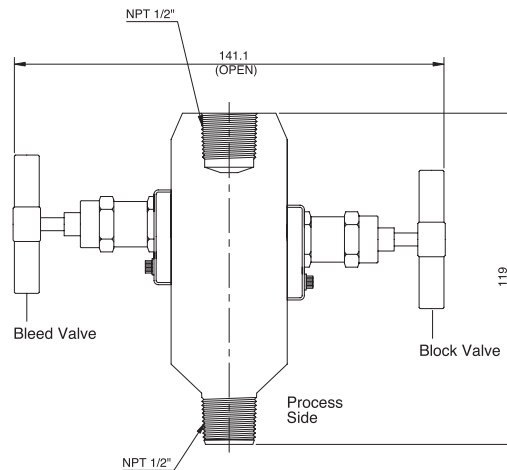
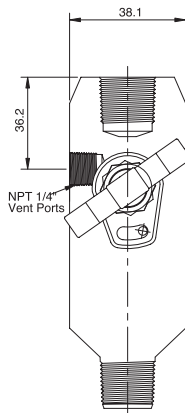
Part No.	End Connection P		Dimensions(mm)			
	Process	Instrument	L	H	F	S
SRGV-08N	1/2" NPT	1/2" NPT	136.0	87.0	50.0	32.0

Gauge Root Valves • SGV/SGRV/SGRV2 Series

Table of Dimension



SRV Series



SRGV2 Series

How to Order

Part No.	End Connection		Orifice(mm)	Seat	Stem Packing	Body Length
	Process	Instrument				
SRV-08N	1/2"NPT	1/2"NPT	5.0	316SS	PTFE	90.0
SRGV-08N	1/2"NPT	1/2"NPT	5.0	316SS	PTFE	136.0
SRGV-12N	3/4"NPT	3/4"NPT	5.0	316SS	PTFE	136.0
SRGV-08N-12N	1/2"NPT	3/4"NPT	5.0	316SS	PTFE	136.0
SRGV-12N-08N	3/4"NPT	1/2"NPT	5.0	316SS	PTFE	136.0
SRGV2-08N-12N	1/2"NPT	3/4"NPT	5.0	316SS	PTFE	119.0
SRGV2-12N-08N	3/4"NPT	1/2"NPT	5.0	316SS	PTFE	119.0



유니온금속공업(주)
UNION METAL INDUSTRIAL CO.,LTD.

본사 및 공장
인천광역시 남동구 고잔동 704번지
남동공단 133블럭 1롯데
TEL : (032)821-6601(대) FAX:(032)821-6604
http://www.unilok.com
E-mail : unilok@unilok.com
서울직매장
서울특별시 구로구 구로동 604-1
구로기계공구상가 D-31-110호
TEL : (02)2676-6673(대) FAX:(02)2679-6673

Head Office and Factory
133 Block-1Lot, Namdong Industrial Complex,
704, Gojan-Dong, Namdong-Gu, Incheon, KOREA.
TEL : +82-32-821-6601 FAX : +82-32-821-6604
http://www.unilok.com
E-mail : unilok@unilok.com
Seoul Office
D-31-110, Guro Tools Center,
604-1, Guro-Dong, Guro-Gu, Seoul, KOREA.
TEL : +82-2-2676-6673 FAX : +82-2-2679-6673