

SDVU Series(Uni-Lok TUBE Fitting)



Specification

End Connection : Uni-Lok TUBE Fitting
 Max. Operating Temperature : -23°C(-10°F) ~ 65°C(151°F)
 Working Pressure : 250psi (18bar)

Materials of Construction

No.	Description	Material
1	Body	SUS316L Single Melt(VOD)
		SUS316L Double Melt(VIM-VAR)
		SUS304
2	Seat	PCTFE
3	Diaphragm	Ni-Co Alloy
4	Handle	ALUMINUM

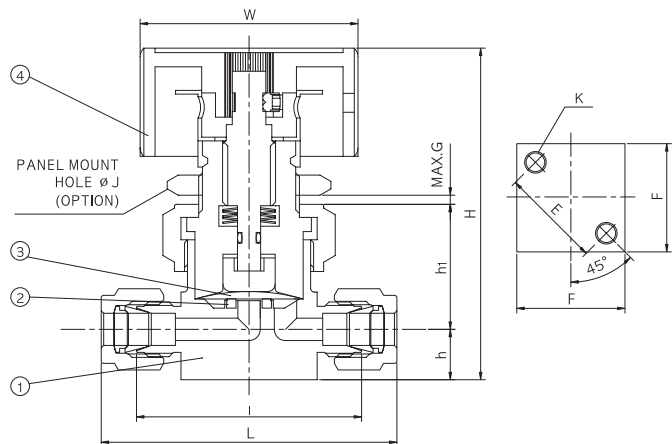


Table of Dimension

Unit : mm

Part No.	Applicable Tube		H	h1	h	L	I	W	F	K	MAX G	E
	Nom. Size	O.D.										
04-SDVU-P	1/4	6.35	67.0	25.0	11.0	66.7	52.0	44.0	28.0	M5	4.0	17.0
06-SDVU-P	3/8	9.53	81.0	31.0	16.0	75.7	61.0	44.0	37.0	M5	4.0	30.0
08-SDVU-P	1/2	12.70	81.0	31.0	16.0	87.3	67.0	44.0	37.0	M5	4.0	30.0

Note : Dimensions are reference only, subject to change without prior notice.