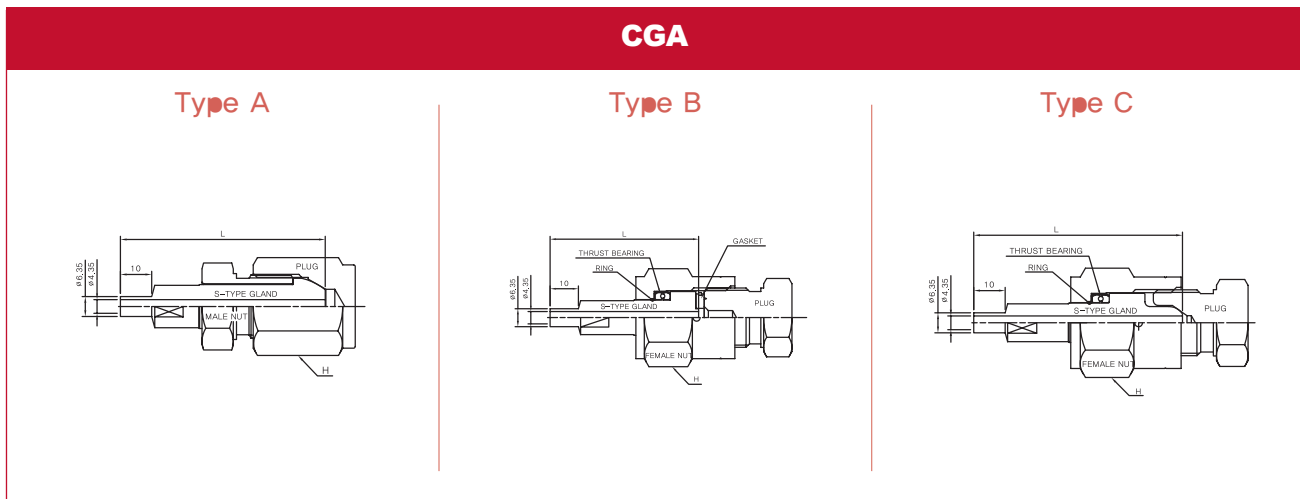


Uni-Mark Cylinder Connectors

CGA



Parts List - CGA

CGA Number	TYPE	L Overall Length		H Flat Bar	Nut Part Number	Bearing Part Number	Gland Part Number	Gasket Part Number	
		inch	mm					PCTFE	Nickel
CGA296	A	2.57	65.3	15/16	UM-0803R	-	UGL-08S	-	-
CGA320	B	2.03	51.5	1-3/16	UF-0830R	UBR-01	UGL-01S	-	UGT01A
CGA326	C	2.61	66.2	1-3/16	UF-0830R	UBR-01	UGL-04S	-	-
CGA330	B	2.03	51.5	1-3/16	UF-0830L	UBR-01	UGL-01S	-	UGT01A
CGA350	C	2.63	66.8	1-3/16	UF-0830L	UBR-01	UGL-05S	-	-
CGA510	A	2.57	65.3	15/16	UM-0880L	-	UGL-06S	-	-
CGA540	C	2.63	66.7	1-3/16	UF-0908R	UBR-01	UGL-09S	-	-
CGA580	A	2.57	65.3	1-1/16	UM-0960R	-	UGL-06S	-	-
CGA590	A	2.57	65.3	1-1/16	UM-0960L	-	UGL-06S	-	-
CGA660	B	2.13	54.0	1-1/4	UF-1035R	UBR-02	UGL-03S	-	UGT03A
CGA670	B	2.13	54.0	1-1/4	UF-1035L	UBR-02	UGL-03S	-	UGT03A
CGA678	B	2.44	62.1	1-1/4	UF-1035L	UBR-02	UGL-07S	-	UGT01B
CGA679	B	2.38	60.4	1-1/4	UF-1035L	UBR-02	UGL-10S	-	UGT05B

Note : Dimensions are reference only, subject to change without prior notice.