

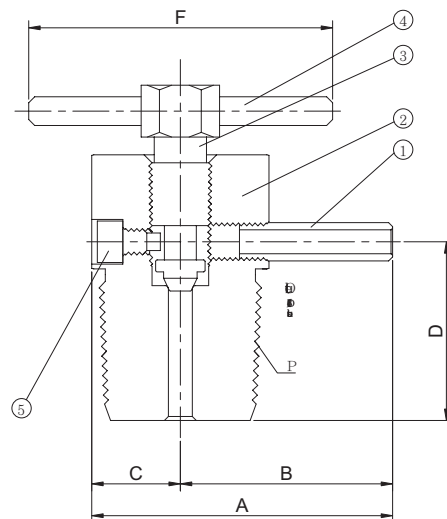
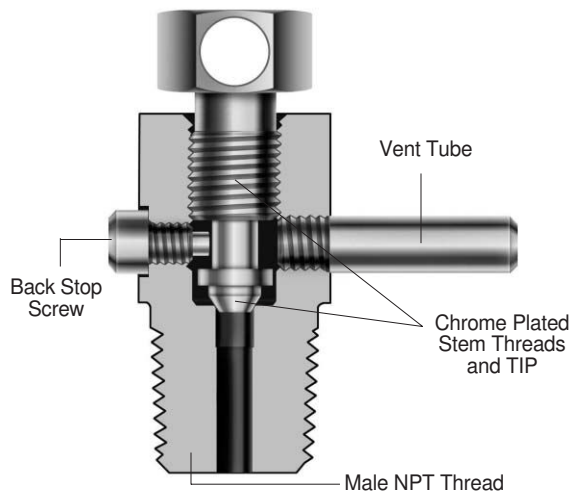
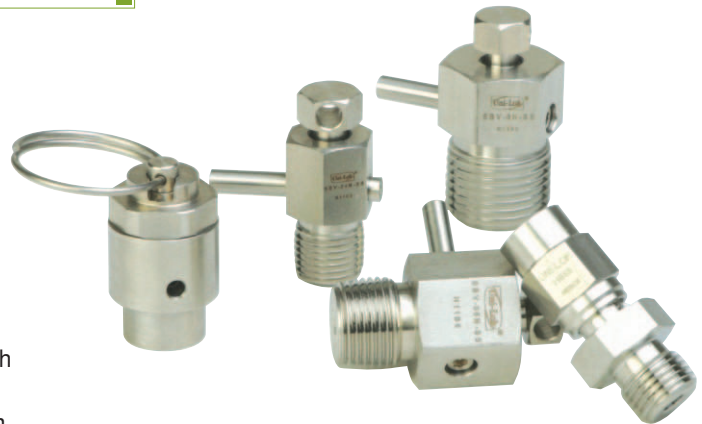
Bleed Valves • SBL Series

SBL Series

Uni-Lok SBL Series Bleed Valves are used on Gauge Root Valve or Manifold Valve so as to vent signal line pressure to atmosphere before disassemble of instrument device and to make control device calibrate easily.

Features

- Pressure rating up to 10000psi(689bar) at 38°C(100°F)
- Temperature rating from -53°C(-65°F) to 454°C(850°F) with Stainless Steel
- Back Stop Screw prevents accidental disassembly of stem
- Vent Tube directs excess liquid or gas from system lines
- Chrome plated stem threads and tip extend valve cycle life.



Materials of Construction

No.	Description	Materials
1	Vent	316SS
2	Body	316SS
3	Stem	316SS
4	Handle(Optional)	304SS
5	Bolt	304SS

Table of Dimension

Part No.	P(NPT)	A	B	C	D	F
SBL-02N	1/8	34.0	23.9	10.4	19.1	51.8
SBL-04N	1/4	34.0	23.9	10.4	19.1	51.8
SBL-06N	3/8	37.3	26.2	11.2	22.4	51.8
SBL-08N	1/2	37.3	26.2	11.2	22.4	51.8

Stainless Steel Bar Handle is optional (-B) as SBL-02N-B

Barbed Vent Tube is optional (-VT) as SBL-08N-VT

Note : Dimensions are reference only, subject to change without prior notice.



유니온금속공업(주)
UNION METAL INDUSTRIAL CO.,LTD.

본사 및 공장
인천광역시 남동구 고잔동 704번지
남동공단 133블럭 1롯데
TEL : (032)821-6601(대) FAX:(032)821-6604
http://www.unilok.com
E-mail : unilok@unilok.com
서울직매장
서울특별시 구로구 구로동 604-1
구로기계공구상가 D-31-110호
TEL : (02)2676-6673(대) FAX:(02)2679-6673

Head Office and Factory
133 Block-1Lot, Namdong Industrial Complex,
704, Gojan-Dong, Namdong-Gu, Incheon, KOREA.
TEL : +82-32-821-6601 FAX : +82-32-821-6604
http://www.unilok.com
E-mail : unilok@unilok.com
Seoul Office
D-31-110, Guro Tools Center,
604-1, Guro-Dong, Guro-Gu, Seoul, KOREA.
TEL : +82-2-2676-6673 FAX : +82-2-2679-6673