

Back Pressure Regulator • SRGBP Series



SRGBP Series



SRGBP Series

Uni-Lok Back Pressure Regulator is used to maintain a constant upstream pressure of gas, vapor or liquid. Designed for accurate regulation under low flow conditions, these units are widely used for protection of analysis instrumentation or as a relief valve in supply pressure lines to control valves.

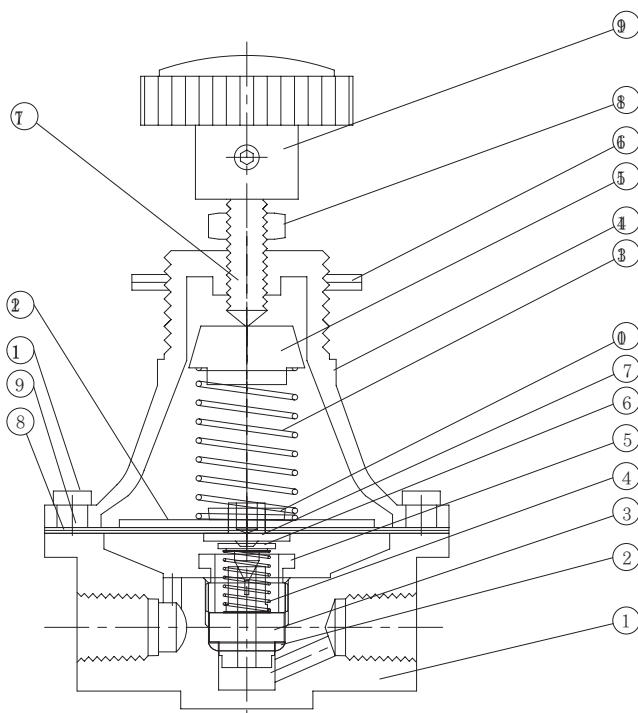
Specification

Connection : 1/4 Female NPT

Operating Temperature : -29°C(-20°F) ~ 66°C(150°F)

Sensitivity : 0.05psi

Regulated Back Pressure Ranges : 0~3, 5, 15, 25, 35, 50 and 125 psi



Materials of Construction

No.	Description	Materials
1	Body	316SS
2	Body Seat	PTFE
3	Nozzle	316SS
4	Plug Spring	304SS
5	Nozzle Retaining Nut	316SS
6	Plug	316SS
7	Rivet	316SS
8	Packing Plate	PTFE
9	Rubber Seat	Rubber
10	Rivet Gland	SS316
11	Bolt	304SS
12	Rivet Plate	Brass
13	Range Spring	Spring
14	Bonnet	Al
15	Spring Plug	Brass
16	Lock Nut	316SS
17	Handle Stem	316SS
18	S. Lock Nut	316SS
19	Handle	Xenoy